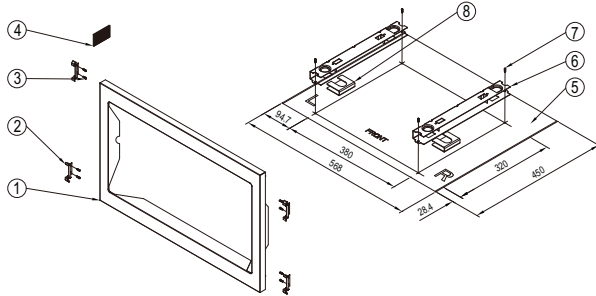


MICROWAVE INSTALLATION KIT

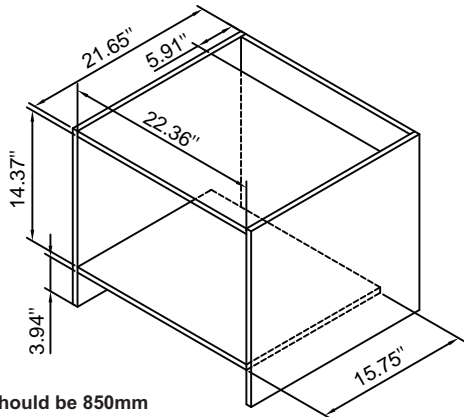
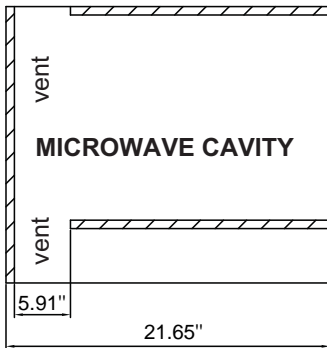


- | | | | | | |
|-----------------------|------|-----------------------|-------|----------------------|-------|
| 1. Frame | IPCS | 2. Fixing Bolt | 4 PCS | 3. Bolts 0.12"X0.47" | 8 PCS |
| 4. Metal Piece | IPCS | 5. Base setting paper | 1 PCS | 6. feetmat | 2 PCS |
| 7. Bolts 0.16"X10.39" | 4PCS | 8. Fix metal sheet | 2 PCS | | |

Technical Specifications of the Installation Kit

Cavity dimensions		Overall Kit Dimensions	
Internal Width	22.36"	Width	23.31"
External FRONT HEIGHT	14.37"	Height	14.8"
Depth	21.65"	Depth	0.79"

Microwave Oven Cabinet

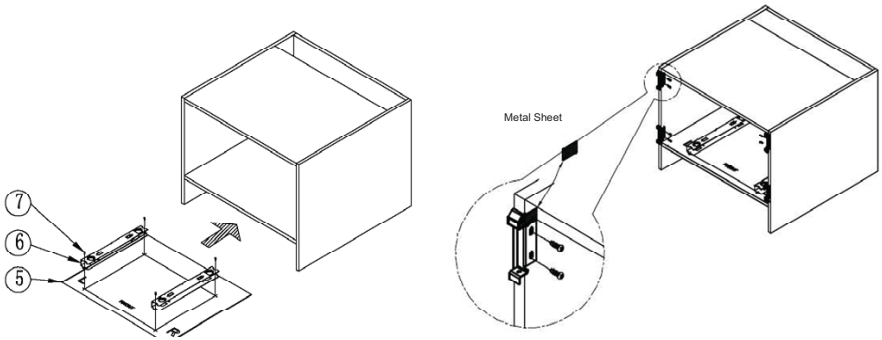


Attention: The bottom of the Microwave Oven should be 850mm away from the floor at least while doing the installation;

Cabinet Measurement Requirements (illustrated above):

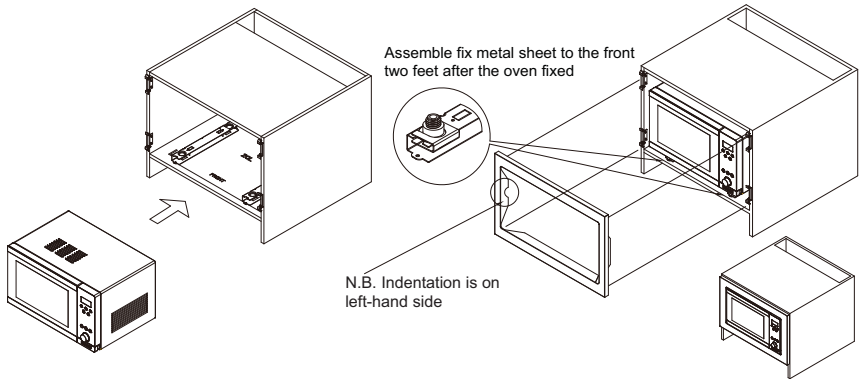
1. Cabinet's inner dimension in transverse direction is 22.36". This is the minimum distance from the left batten to right batten. Do not alter.
2. Cabinet's inner dimension in lengthways direction is 14.37". This is the minimum distance from the left batten to right batten. Do not alter.
3. Cabinet's depth should be no less than 21.65".
4. Outside dimension of cabinet should be no less than 23.46" as the frame length is 23.31".
5. Cabinet's board less than 0.59" or 0.78" thick.

INSTALLATION STEPS



1. Fix the cabinet as per diagram above. Put the base setting paper (Component 5) on the bottom board of the cabinet cavity. Keep the paper's front edge and cabinet outside edge in one line. Then put the base (Component 6) on the paper and adjust their holes as per the hole position in the drawing. Then, fix the required bolts.

2. Fix Metal sheet end on the left and right of Cabinet, another end on the upper and lower of cabinet. After fixing the metal sheet, then fix the buckle and let it touch another end of metal sheet tightly. Please pay attention that buckle's bent side shall be installed as to the drawing while fixing the buckle. Then press the buckle and take away metal sheet, tighten screws.



3. Put the Microwave Oven carefully into the cabinet, placing the underside of the Microwave Oven into the base plate now created.

4. Keep the Microwave Oven in a horizontal direction. Push the metal piece of the frame into the metal buckle. The frame should now be installed.

Air Inlet installation instruction:

